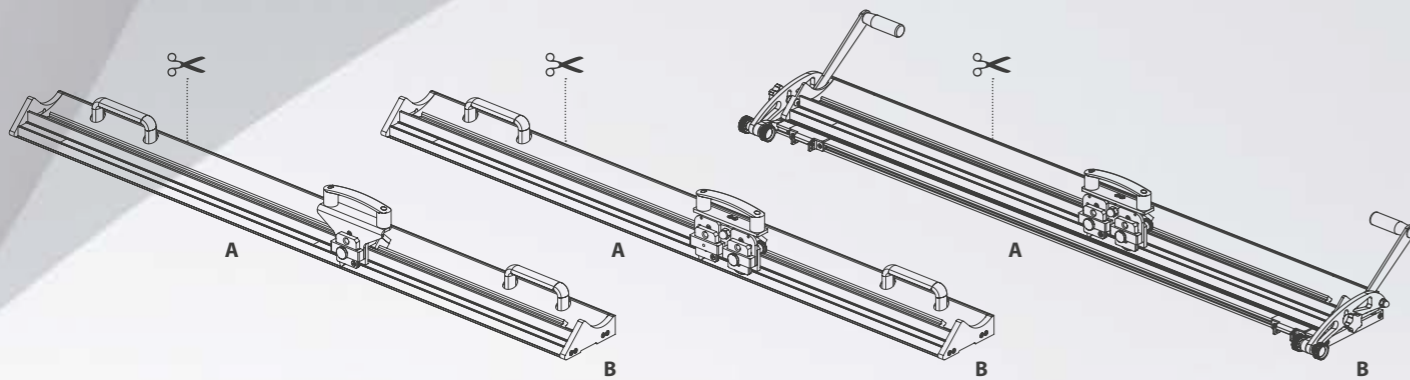


TECHNICAL DATA	InBest Basic110 726802	InBest Basic 160 726803	InBest Basic 210 726804	InBest Basic 260 726805	InBest Basic 320 726806
	InBest Twin 110 726812	InBest Twin 160 726813	InBest Twin 210 726814	InBest Twin 260 726815	InBest Twin 320 726816
Cutting Length	110 cm / 44"	160 cm / 63"	210 cm / 82"	260 cm / 102"	320 cm / 126"
Length (A)	138 cm / 55"	188 cm / 74"	238 cm / 93"	288 cm / 113"	348 cm / 137"
Width (B)			15,8 cm / 6,22"		
Weight Inbest basic	9 kg / 19,8 lb	12 kg / 26,5 lb	15,5 kg / 34,21 lb	17,5 kg / 38,6 lb	20 kg / 44,1 lb
Weight Inbest Twin	9,5 kg / 20,9 lb	12,5 kg / 27,6 lb	16 kg / 35,3 lb	18 kg / 39,7 lb	20,5 kg / 45,2 lb
	InBest Pro 110 726822	InBest Pro 160 726823	InBest Pro 210 726824	InBest Pro 260 726825	InBest Pro 320 726826
Cutting Length	110 cm / 44"	160 cm / 63"	210 cm / 82"	260 cm / 102"	320 cm / 122"
Length (A)	146 cm / 58"	196 cm / 77"	246 cm / 96"	296 cm / 116"	356 cm / 140"
Width (B)			22,5 cm / 8,86"		
Weight	15 kg / 33,1 lb	20 kg / 44,1 lb	24 kg / 52,9 lb	30 kg / 66,1 lb	35 kg / 77,2 lb



SEMI-RIGID MATERIALS Maximum Thickness (mm)

Foamboard	13 mm / 20 mm*
Cardboard	13 mm / 20 mm*
PVC	5 mm / 10 mm*
Honeycomb	13 mm / 20 mm*
Corrugated Plastic	13 mm
Mountboard	3.5 mm

RIGID MATERIAL Maximum Thickness (mm)

Acrylic / Plexiglas	4 mm*
---------------------	-------

FLEXIBLE MATERIALS

Fabric / Textiles
Plastic Film
Banner Materials
Paper
Vinyl
Magnetic sheet

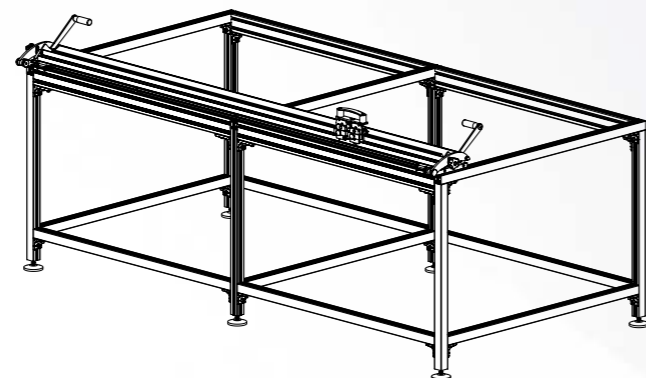
* Optional Accessory Required

ACCESSORIES

Acrylic Cutting Head	45 22 92
Reverse Cutting Head	45 22 93
Extra Blade Cutting Head	45 22 94
Table Mount Elevator for InBest Basic & Twin (1 set)	45 22 01
Trapezoid Blades (100 units)	13 01 30
Circular Blade (1 unit)	13 01 26
Acrylic Scoring Blade (5 units)	13 01 47

TABLE FOR INBEST PRO

Table for Inbest Pro, 160 cm	14 22 03
Table for Inbest Pro, 210 cm	14 22 04
Table for Inbest Pro, 260 cm	14 22 05
Table for Inbest Pro, 320 cm	14 22 06



The Best Investment For Your Workshop

The new **InBest** range of cutter bars has been developed and constructed to satisfy all cutting requirements of a wide range of graphic materials; covering from the most delicate flexible material to any semi-rigid material.

The unique feature of using a linear bearing system to guide the cutting head guarantees an excellent performance and extreme precision, unmatched by any other cutter in the market.

All InBest models are available in five different sizes:

110 cm (44"), 160 cm (63"), 210 cm (82"), 260 cm (102") and 320 cm (126").

- HIGH ACCURACY & VERSATILITY!
- ROBUSTNESS & USER-FRIENDLY!



**SEMI-RIGIDS
Cutting Head**
Up to 13 mm
(Included)



**CIRCULAR BLADE
Cutting Head**
Flexible materials
(Included)



**ACRYLIC
Cutting Head**
Up to 4 mm
(Accessory)



**REVERSE
Cutting Head**
Cut from right to left
(Accessory)



**EXTRA BLADE
Cutting Head**
Up to 20 mm
(Accessory)

Distributed by:



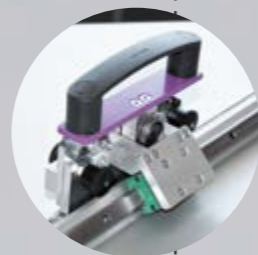
INGLET SLU, Av. de Cervera, 21 E25300 TÀRREGA (Lleida) Spain
Tel. +34 973 312 312 Fax. +34 973 310 755 export@inglet.com / www.ingletmachinery.com / www.inglet.com

INBEST BASIC

The InBest Basic, which is the entry-level model, is equipped with a useful and easy-to-use single cutting head holder. The cut requires a soft downward hand pressure.

COMMON FEATURES OF ALL INBEST CUTTERS:

- User-friendly machine easy and simply to install.
- Plastic strip for sight line to visualize the cutting line and avoid guesswork need.
- Cutting thickness up to 20 mm for semi-rigid materials.
- Dust free operation to safely work close to printers.



LINEAR BEARING SYSTEM

The combination of the robust bearing block with the steel linear rail, which is common to all InBest cutters, guarantees an accurate and smooth cutting head movement.

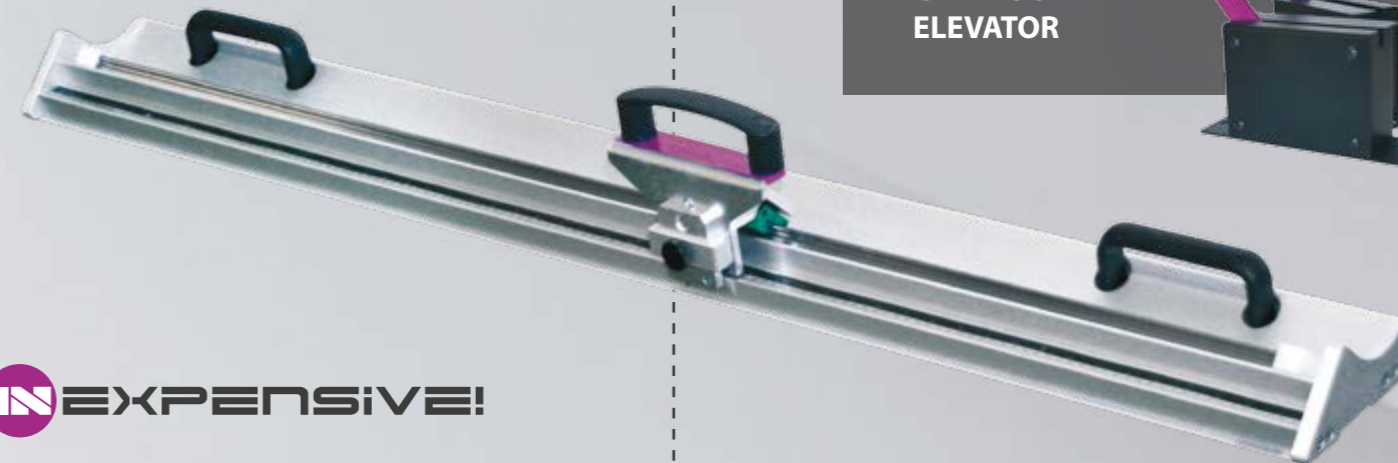


INTERCHANGEABLE CUTTING HEADS

Easy system to quickly interchange the cutting head to use, while the attached handle ensures an extra comfort.

INEXPENSIVE!

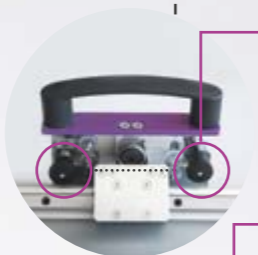
TABLE MOUNT ELEVATOR



INBEST TWIN

The InBest Twin features a revolutionary dual cutting head system to allow the customer to have two different cutting heads installed at one time and block them if required.

The different cutting heads available provide the equipment with a great versatility and productivity.



BLOCKING THE BLADE

Possibility of blocking the blade at the cutting position to facilitate the cut of big sizes. No need of downward hand pressure.



ERGONOMIC HANDLE SYSTEM

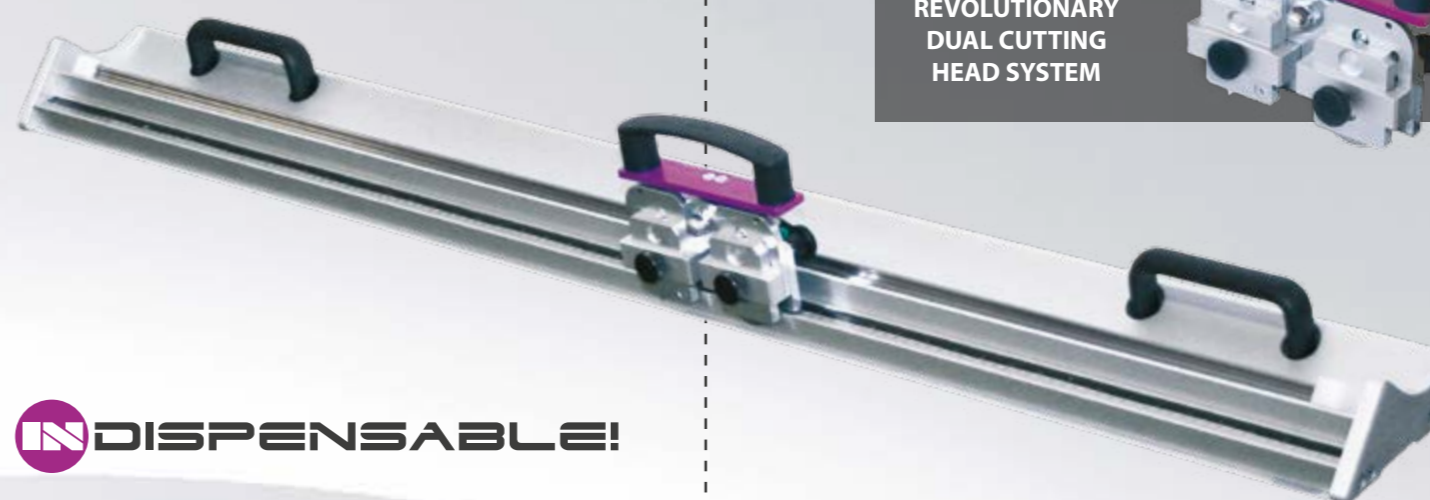
Ergonomic handle system to comfortably cut in both directions.

TABLE MOUNT ELEVATOR

Available for InBest Basic and InBest Twin to offer an easy operation, raising the cutter above the material for positioning the cutting line.

INDISPENSABLE!

REVOLUTIONARY DUAL CUTTING HEAD SYSTEM



INBEST PRO

The InBest Pro adds to the equipment an integrated aluminum base with two different cutting tracks: one with a narrow groove for general purposes, to be used with the knife blade; and other with a built-in cutting strip, to be used with the circular blade.

The InBest Pro is also equipped with an integral lift and hold mechanism, which can be used from both sides, to facilitate the material loading.



INTERCHANGEABLE CUTTING TRACK

Cutting position easily changeable in few seconds through the quick knob system.

FULL LENGTH GRIP STRIPS

Both the cutter and the aluminum base are equipped with full length grip strips to aid clamping and protect printed media.



LIFT AND HOLD MECHANISM

Useful and comfortable handle system to raise the cutter bar.

FREE WORKING AREA

Cutter bar can be placed vertically on the side of the bench to free the working area if required.

INCOMPARABLE!

FREE WORKING AREA

